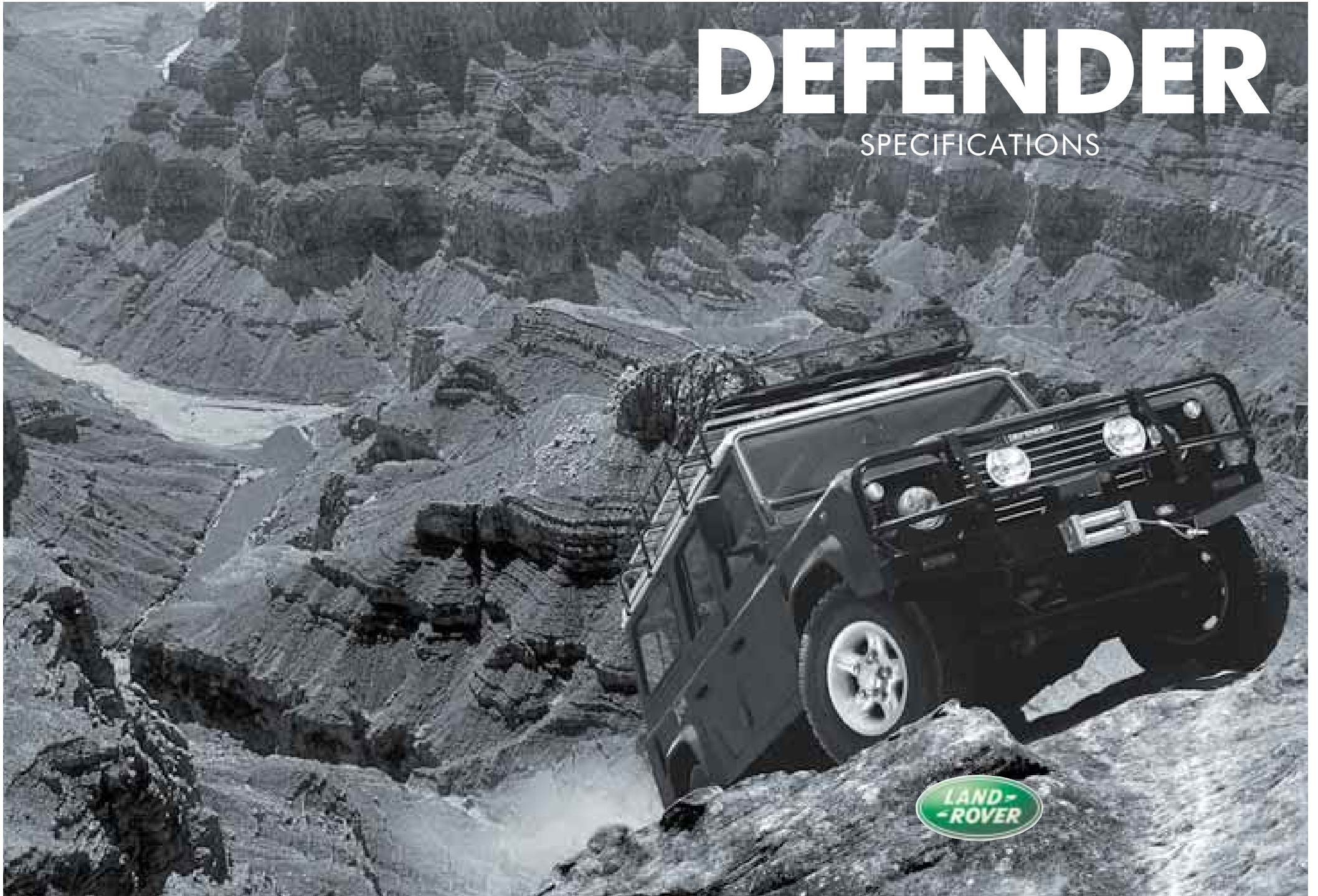


# DEFENDER

SPECIFICATIONS



## ENGINE OPTIONS

Capacity	2498cc
Type	Intercooled Turbo-Charged Direct Injection Diesel
Cylinders	5 - In-line Configuration
Compression Ratio	19.5 : 1
Max Power	90kw @ 4,200rpm
Max Torque	300Nm @ 1,950rpm

## TRANSMISSION

Type	Land Rover - R380
Gear Ratios	5 Forward, 1 Reverse 2 Speed Transfer Case

## TOWING CAPACITY

On-road	750kg
Off-road	750kg
Ball load	250kg*

## Td5 - 2.5L

Capacity	2498cc
Type	Intercooled Turbo-Charged Direct Injection Diesel
Cylinders	5 - In-line Configuration
Compression Ratio	19.5 : 1
Max Power	90kw @ 4,200rpm
Max Torque	300Nm @ 1,950rpm

## MANUAL

Type	Land Rover - R380
Gear Ratios	5 Forward, 1 Reverse 2 Speed Transfer Case

## UNBRAKED TRAILER

On-road	750kg
Off-road	750kg
Ball load	250kg*

## BRAKED TRAILER

On-road	3,500kg
Off-road	1,000kg
Ball load	250kg*

\*Defender towball down-load mass figure is only applicable when the vehicle is fitted with a towbar assembly which has been certified to AS 4177 and tested to both the static and dynamic procedures of this Standard.



## WHEELS AND TYRES

Model	110 Xtreme Wagon	130 Chassis Cab	130 Crew Cab
6.5 x 16" Steel Wheels	●	■	■
Tyre - 7.5 R16	●	■	■
7J x 16" Alloy Wheels	■	●	●
Tyre - 235/85 R16	■	●	●



■ = Standard    ▼ = Optional    ● = Not available    ◆ = Accessory

## EXTERIOR FEATURES

Model	110 Xtreme Wagon	130 Chassis Cab	130 Crew Cab
Rear Fog Lamp	■	■	■
Bull Bar	■	◆	◆
Front Mud Flaps	■	■	■
Rear Mud Flaps	■	■	■
Deformable Front Wheelarch Eyebrows	■	■	■
Deformable Rear Wheelarch Eyebrows	■	●	●
Body Coloured Wheelarch Eyebrows	■	●	●
Telescopic Radio Aerial	■	■	■



■ = Standard    ▼ = Optional    ● = Not available    ◆ = Accessory

## EXTERIOR FEATURES

Model	110 Xtreme Wagon	130 Chassis Cab	130 Crew Cab
Locking Fuel Filler Cap	■	■	■
Manual Door Mirrors	■	■	■
Tinted Windows	■	●	●
Folding Rear Step	■	●	●
Laminated Windscreen	■	■	■
Rear Wash Wipe	■	●	●
Wagon Body Style	■	●	●
Cab Chassis Body Style	●	■	■



■ = Standard    ▼ = Optional    ● = Not available    ◆ = Accessory

## INTERIOR FEATURES

Model	110 Xtreme Wagon	130 Chassis Cab	130 Crew Cab
Cloth Seats	■	●	●
Vinyl Seats	●	■	■
Fitted Rubber Flooring	■	■	■
Courtesy Light with delay	■	■	■
Clock	■	■	■
Programmed Wash/Wipe	■	■	■
Intermittent Wipe	■	■	■
Air Conditioning	■	■	■



■ = Standard    ▼ = Optional    ● = Not available    ◆ = Accessory

## INTERIOR FEATURES

Model	110 Xtreme Wagon	130 Chassis Cab	130 Crew Cab
Sunvisors with Map Pockets	■	■	■
Two Outer Front Seats & Centre Cubby Box	■	■	■
60/40 Split Rear Seat	■	●	●
Electric Front Windows	■	●	●
Central Door Locking	■	■	■
Radio Cassette	■	■	■
Sliding Rear Window	●	■	■
Front Fresh Air Vents	■	■	■



■ = Standard    ▼ = Optional    ● = Not available    ◆ = Accessory

## VEHICLE CONTROL FEATURES

Model	110 Xtreme Wagon	130 Chassis Cab	130 Crew Cab
Permanent Four-Wheel Drive	■	■	■
Centre Locking Differential	■	■	■
4 Channel, All Terrain ABS	■	●	●
4 Wheel Electronic Traction Control	■	●	●
Front & Rear Coil Springs	■	■	■



■ = Standard    ▼ = Optional    ● = Not available    ◆ = Accessory



## VEHICLE SECURITY FEATURES

Model	110 Xtreme Wagon	130 Chassis Cab	130 Crew Cab
Locking Wheel Nuts	■	●	●
Security Coded Radio Cassette	■	■	■



■ = Standard    ▼ = Optional    ● = Not available    ◆ = Accessory

## GRADIENTS

	<b>110</b>	<b>130</b>
Tyre size	7.5/235	7.5
Maximum Gradient Kerb weight	45°	45°
Approach Angle Kerb weight	50°	50°
Departure Angle Kerb weight	34° 30'	34°
Ramp Break Over Angle	152°	155°

## WADING DEPTH

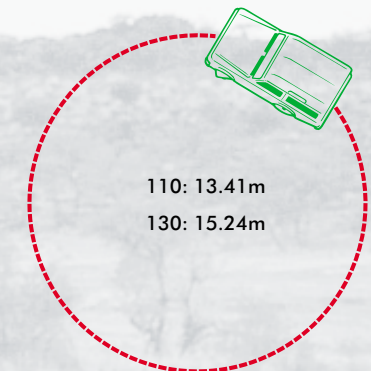
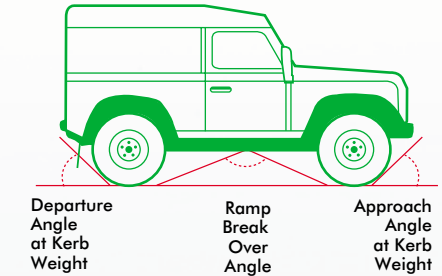
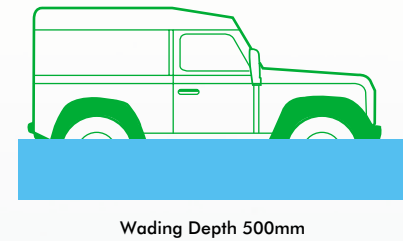
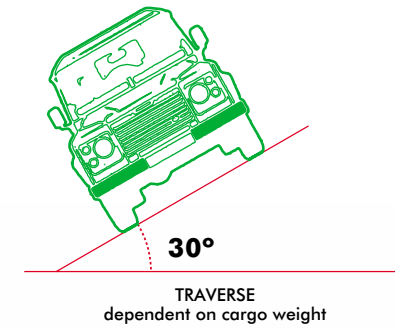
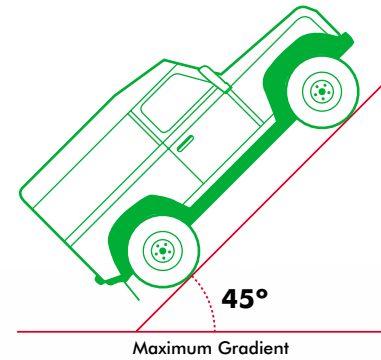
	<b>110</b>	<b>130</b>
Wading Depth mm	500	500

## CLEARANCE

	<b>110</b>	<b>130</b>
Tyre size	235	7.5
Minimum Ground Clearance (unladen) mm	215	215

## TURNING CIRCLE

	<b>110</b>	<b>130</b>
Tyre size	235x16	7.50x16
Minimum Turning Radius	13.41m	15.24m

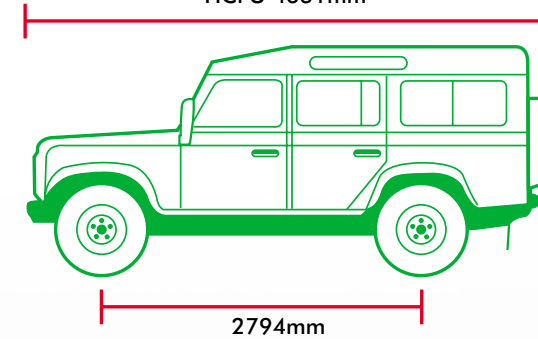


## DIMENSIONS MM

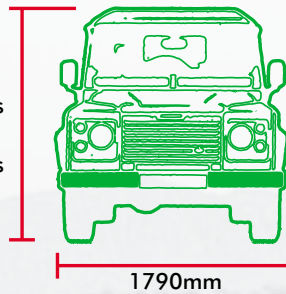
	110 Station Wagon	130 Double Cab HCPU
Track Front/Rear	1486	1511
Cargo bed length	N/A	1668
Interior width	1430	1670
Interior height	1175	N/A
Width between wheel boxes	925	1092

### 110 Station Wagon

Station Wagon/Hard Top 4599mm  
 Pick Up 4438mm  
 HCPU 4631mm



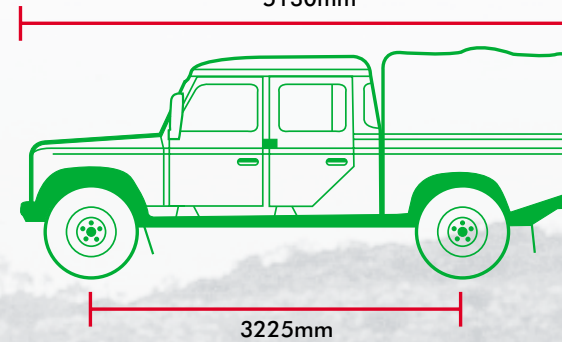
2076mm  
with 750 tyres  
 1993mm  
with 205 tyres



Vehicle height depends on tyre and suspension options

### 130 Double Cab HCPU

5130mm



#### Premier Automotive Group Australia Pty Ltd

Trading as Land Rover Australia ABN 86 004 352 238 65 Epping Road, North Ryde NSW 2113 Locked Bag 2214, North Ryde NSW 1670 Telephone: 1800 809 308 © Premier Automotive Group Australia Pty Ltd 2002

#### Please note

Land Rover Australia have taken the utmost care in ensuring all details in this publication are correct at the time of creating this electronic document. However, we are constantly striving for improvement and therefore reserve the right to alter specifications and equipment without notice. Please consult your Land Rover Retailer who will be pleased to advise you on current specifications. Or visit [www.landrover.com.au](http://www.landrover.com.au) Distributors and dealers are not agents of Land Rover and have absolutely no authority to bind Land Rover to any express or implied undertaking or representation.



THE LAND ROVER EXPERIENCE